

8" Coaxial Ceiling Speaker (5W-10W-15W) CSP8

Feature:

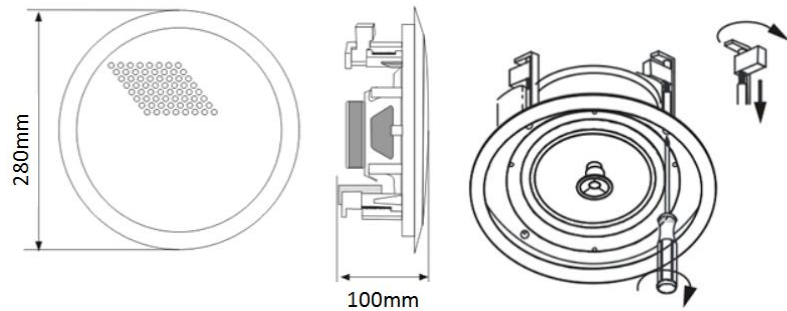
- ✓ Commercial ceiling speaker with transformer
- ✓ Ideal for school, office, hotel and airport background music system
- ✓ Rated power output 5W-10W-15W at 100V
- ✓ 8" coaxial paper woofer and 1.5" tweeter
- ✓ Line input 100V or 70V
- ✓ ABS enclosure and metal grille in white
- ✓ Flush mount in-ceiling quick and secure installation



Specification:

Model	CSP8
Description	8" Coaxial Ceiling Speaker
Rated Power Output	5W-10W-15W
Line Input	100V or 70V
Frequency Response	50-18KHz
SPL(@1W/m)	93dB
Speaker Unit	8" coaxial paper woofer and 1.5" tweeter
Cutout Size	248mm
Dimension	280(D)×100(H)mm
Material	ABS enclosure and metal grille in white
Mounting Way	Flush mount in-ceiling quick and secure installation
Weight	1.3kg

Dimension & Mounting Guidance:



Frequency Response & SPL Diagrams:

